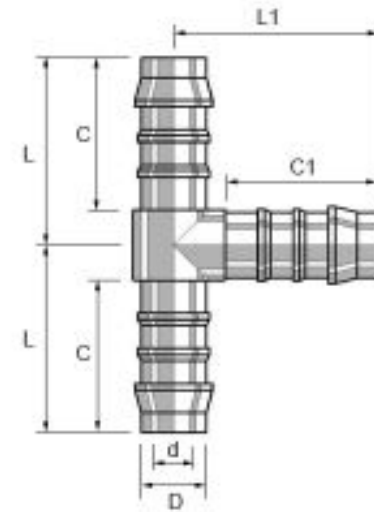




Product Code:	12446444448
Name:	Union T Hose Connector
Application:	Fittings especially suitable for connecting plastic, rubber or soft p.v.c hoses in industrial and domestic applications. As these hoses have various wall thicknesses the size is by ID measurement.
Comments:	Strong and durable. Assembly: Tubes dressed onto barbed tail of fitting and secured with Tefen snap clip.
Material:	Nylon 66
Colour:	Blue
Temperature Range:	-20 °C up to +110 °C (-5 °F up to +230 °F) - subject to application.
Working Pressure:	14 bar (200 psi) Max at +20 °C
Hose Inner Diameter 1:	4 mm
Hose Inner Diameter 2:	4 mm
Carton Quantity:	1500



C:	16 mm
C1:	16 mm
D:	4 mm
L:	19 mm
L1:	20.5 mm